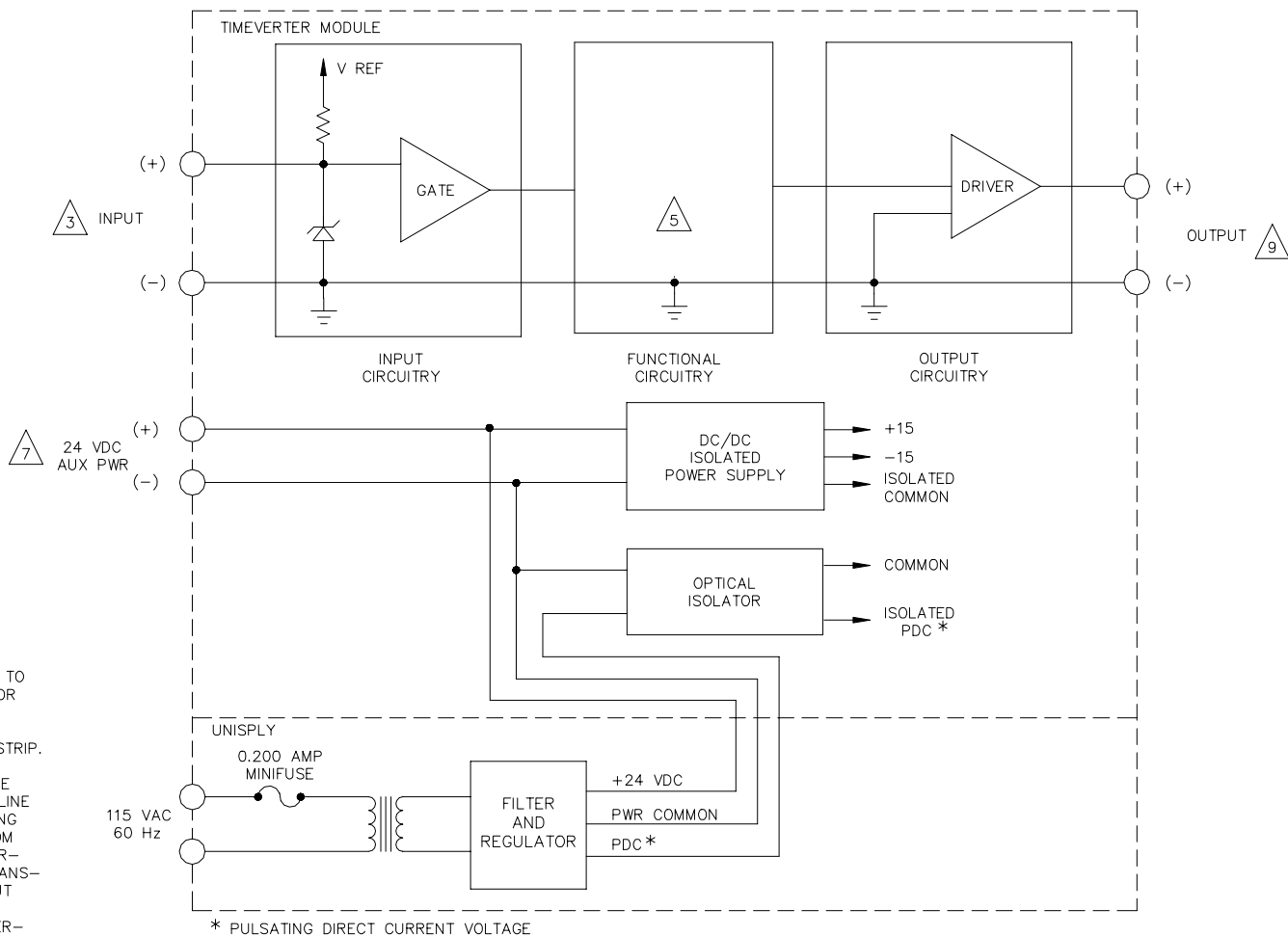


FRONT VIEW OF PANEL

NOTES:

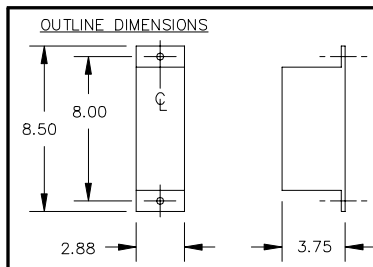
1. MODULES ARE TA5100 SERIES PLUG-IN. REFER TO SERIALIZED NAMEPLATE ON SIDE OF MODULE FOR INPUT/OUTPUT SPECIFICATIONS.
2. TERMINALS ARE #6-40 SCREW TYPE BARRIER STRIP.
3. DO NOT CONNECT THE INPUT TERMINALS OF THE ASSEMBLY DIRECTLY ACROSS A TRANSMISSION LINE PAIR MORE THAN 50 FEET LONG WITHOUT TAKING PRECAUTIONS TO PROTECT THE EQUIPMENT FROM HIGH VOLTAGE TRANSIENTS. IF POSSIBLE, INTERSPERSE AN AUXILIARY RELAY BETWEEN THE TRANSMISSION LINE WIRE PAIR & THE ASSEMBLY INPUT TERMINALS. GROUND ONE SIDE OF THE INPUT TERMINALS TO 115 VAC POWER GROUND. OTHERWISE PROVIDE A PROTECTIVE DEVICE OR SYSTEM TO PREVENT THE TRANSMISSION WIRE PAIR TERMINALS FROM RISING MORE THAN 400 VOLTS ABOVE 115 VAC POWER GROUND.
4. WHEN THE TRANSMISSION WIRE PAIR IS ADEQUATELY ENGINEERED FOR TRANSIENT PROTECTION AND THE REMOTE TRANSMITTER IS USING DRY CONTACTS, THE TIMEVERTER CHANNEL WILL OPERATE OVER A MAXIMUM LOOP RESISTANCE OF 3,000 OHMS.
5. ASSEMBLY INPUT & OUTPUT NEGATIVE TERMINALS ARE COMMON WITH THE ASSEMBLY POWER SUPPLY SECONDARY COMMON. IF OUTPUT NEGATIVE IS CONNECTED TO 115 VAC POWER SUPPLY GROUND, THEN INPUT NEGATIVE TERMINAL MUST BE CONNECTED TO 115 VAC POWER SUPPLY GROUND.
6. SEE OMI-A5100 FOR OPERATING & MAINTENANCE INSTRUCTIONS.
7. 24 VDC AUXILIARY POWER OUTPUT LIMITED TO 100mA.

SIMPLIFIED SCHEMATIC



\* PULSATING DIRECT CURRENT VOLTAGE

8. EQUIPMENT MUST HAVE GOOD VENTILATION. AMBIENT TEMPERATURE NOT TO EXCEED 50° C.
9. TYPICAL DC ANALOG OUTPUT SPECIFICATION IS 0/550 OHMS LOAD ON A 4/20mA BASIS OR 10mA MAXIMUM OUTPUT LOAD ON A 1/5 VDC BASIS.



SIGNATURE	DATE
DRAWN BY KM	1/20/77
CHECKED BY LW	1/20/77
APPROVED BY DE	1/20/77
APPROVED FOR PROD.	
CONTRACT NO.	
PCB-7786	
A-COMplete REDRAW	

AGM ELECTRONICS, INC.			
TUCSON, ARIZONA			
WIRING & SCHEMATIC DIAGRAM			
SINGLE CHANNEL TIMEVERTER			
PTA MTG TA5100 SERIES			
CODE IDENT NO.	SIZE	PART NO.	REV
	A	WSD-20242-3	C
SCALE NONE	WT	SHEET 1 OF 1	